



- (51) International Patent Classification:
F42B 12/40 (2006.01)
- (21) International Application Number:
PCT/US2014/031282
- (22) International Filing Date:
20 March 2014 (20.03.2014)
- (25) Filing Language: English
- (26) Publication Language: English
- (30) Priority Data:
61/803,827 21 March 2013 (21.03.2013) US
14/215,253 17 March 2014 (17.03.2014) US
- (71) Applicant: **KMS CONSULTING, LLC** [US/US]; 14
Cottagewood Lane, Kennebunk, ME 04043 (US).
- (72) Inventors: **SULLIVAN, Kevin, Michael**; 14 Cottagewood
Lane, Kennebunk, ME 04043 (US). **MARTINEZ, Mar-
celo, Eduardo**; Lincoln 38, Carlos Pas, Cordoba, 5152
(AR).
- (74) Agent: **MILDE, Karl, F.**; Eckert Seamans Cherin & Mel-
lot, LLC, U.S. Steel Tower, 600 Grant Street- 44th FL,
Pittsburgh, PA 15219-2788 (US).
- (81) Designated States (*unless otherwise indicated, for every
kind of national protection available*): AE, AG, AL, AM,

AO, AT, AU, AZ, BA, BB, BG, BH, BN, BR, BW, BY,
BZ, CA, CH, CL, CN, CO, CR, CU, CZ, DE, DK, DM,
DO, DZ, EC, EE, EG, ES, FI, GB, GD, GE, GH, GM, GT,
HN, HR, HU, ID, IL, IN, IR, IS, JP, KE, KG, KN, KP, KR,
KZ, LA, LC, LK, LR, LS, LT, LU, LY, MA, MD, ME,
MG, MK, MN, MW, MX, MY, MZ, NA, NG, NI, NO, NZ,
OM, PA, PE, PG, PH, PL, PT, QA, RO, RS, RU, RW, SA,
SC, SD, SE, SG, SK, SL, SM, ST, SV, SY, TH, TJ, TM,
TN, TR, TT, TZ, UA, UG, US, UZ, VC, VN, ZA, ZM,
ZW.

- (84) Designated States (*unless otherwise indicated, for every
kind of regional protection available*): ARIPO (BW, GH,
GM, KE, LR, LS, MW, MZ, NA, RW, SD, SL, SZ, TZ,
UG, ZM, ZW), Eurasian (AM, AZ, BY, KG, KZ, RU, TJ,
TM), European (AL, AT, BE, BG, CH, CY, CZ, DE, DK,
EE, ES, FI, FR, GB, GR, HR, HU, IE, IS, IT, LT, LU, LV,
MC, MK, MT, NL, NO, PL, PT, RO, RS, SE, SI, SK, SM,
TR), OAPI (BF, BJ, CF, CG, CI, CM, GA, GN, GQ, GW,
KM, ML, MR, NE, SN, TD, TG).

Published:

- with international search report (Art. 21(3))
- before the expiration of the time limit for amending the
claims and to be republished in the event of receipt of
amendments (Rule 48.2(h))

(54) Title: TRAINING AMMUNITION CARTRIDGE WITH REACTIVE LIQUID MATERIALS FOR MARKING A POINT OF IMPACT

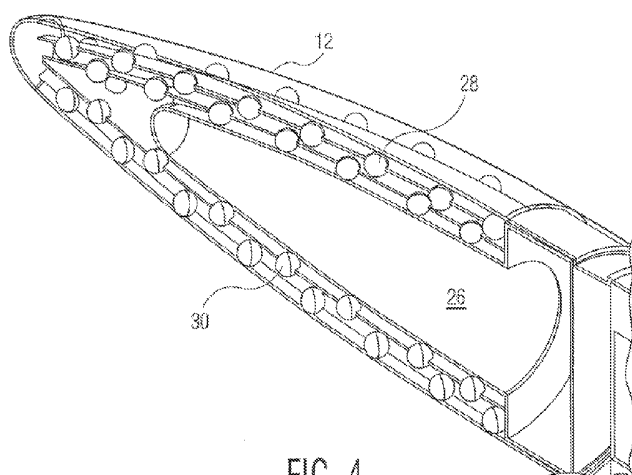


FIG. 4

(57) Abstract: A practice ammunition projectile has a projectile head with one or more sheets of plastic material, each having a plurality of frangible "bubble shaped" compartments containing liquid chemical components for optical and/or Infrared marking of a target upon impact. The sheets are preferably flexible sheets in the nature of a "bubble wrap" of the type used as padding for packaging. These so-called "matrix packages" are installed adjacent the inner surface of the shell forming the projectile head and provide stability when the compartments break up upon setback when the projectile is fired from a weapon.

