



US 20160161217A1

(19) **United States**

(12) **Patent Application Publication**  
**SULLIVAN**

(10) **Pub. No.: US 2016/0161217 A1**

(43) **Pub. Date: Jun. 9, 2016**

(54) **APPARATUS FOR CORRECTING BALLISTIC ERRORS USING LASER INDUCED FLUORESCENT (STROBE) TRACERS**

(52) **U.S. Cl.**  
CPC ..... *F41G 3/142* (2013.01); *F42B 12/387* (2013.01)

(71) Applicant: **KMS CONSULTING, LLC,**  
Kennebunk, ME (US)

(57) **ABSTRACT**

(72) Inventor: **KEVIN MICHAEL SULLIVAN,**  
Kennebunk, ME (US)

A system for correcting the aim of a weapon which is operative to launch a projectile from a barrel on a ballistic path toward a target. A rear surface of the projectile is coated with a fluorescent dye that re-emits radiation when excited by laser radiation. The system includes a source of laser radiation (strobe) pulses that form a cone of light intersecting the ballistic path of the projectile. The strobe pulses are emitted at predetermined times ( $T_1, T_2, T_3, \dots T_n$ ) following firing of the projectile (at time  $T_0$ ). An optical detector receives the radiation re-emitted by the fluorescent dye at the rear of the projectile at times ( $T_{1z}, T_{2z}, T_{3z}, \dots T_{nz}$ ) producing measurable location signals allowing the system to measure the vertical and lateral positions of the projectile at said times, where "z" is a re-emission delay and  $T_{1z}, T_{2z}, T_{3z}, \dots T_{nz}$  are the respective times  $T_1, T_2, T_3, \dots T_n$  each delayed by amount z.

(21) Appl. No.: **14/220,404**

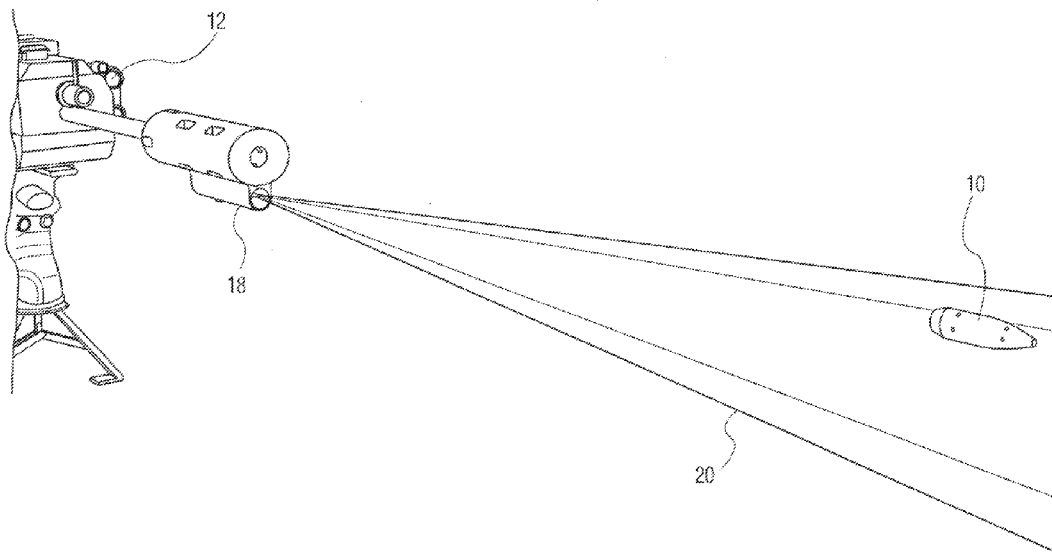
(22) Filed: **Mar. 20, 2014**

**Related U.S. Application Data**

(60) Provisional application No. 61/803,826, filed on Mar. 21, 2013.

**Publication Classification**

(51) **Int. Cl.**  
*F41G 3/14* (2006.01)  
*F42B 12/38* (2006.01)



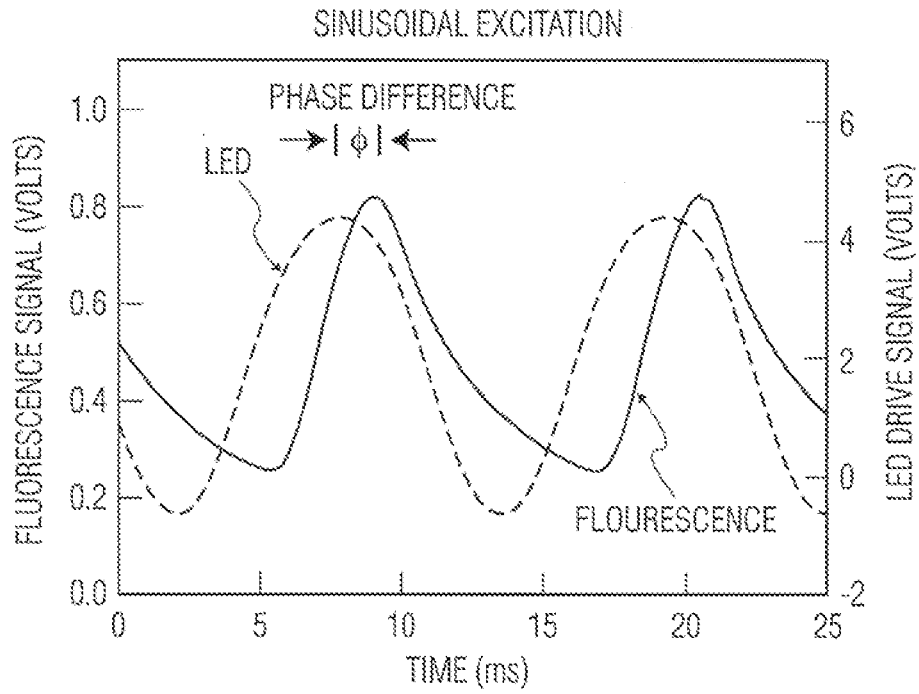


FIG. 1

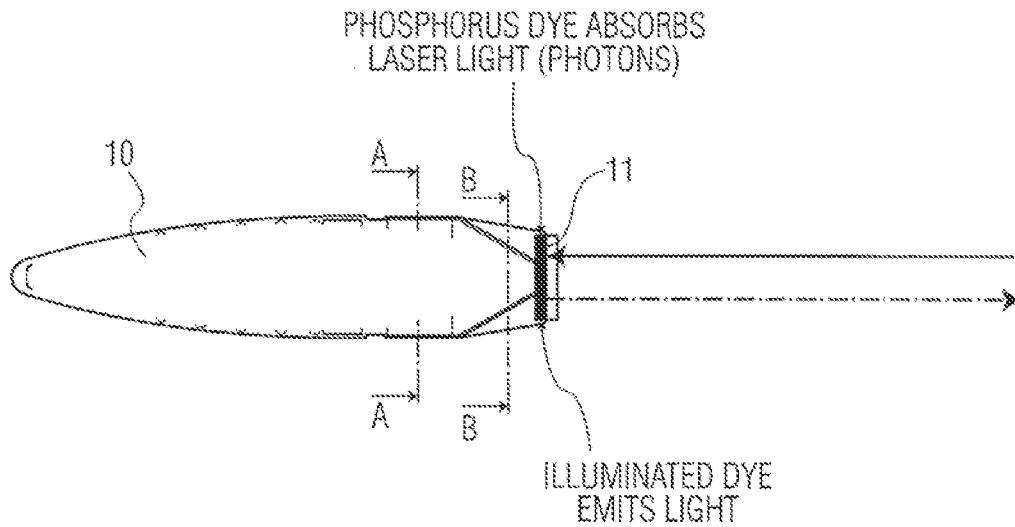


FIG. 2

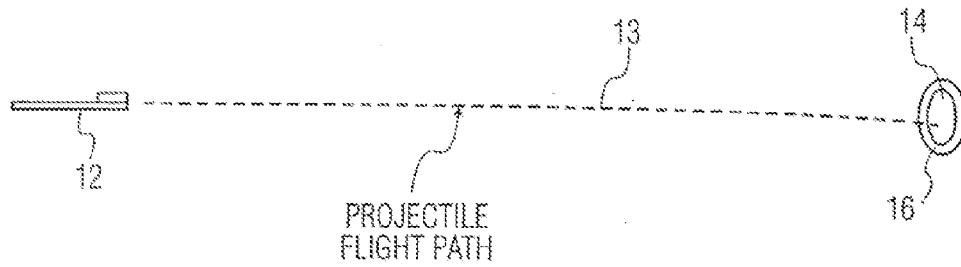


FIG. 3

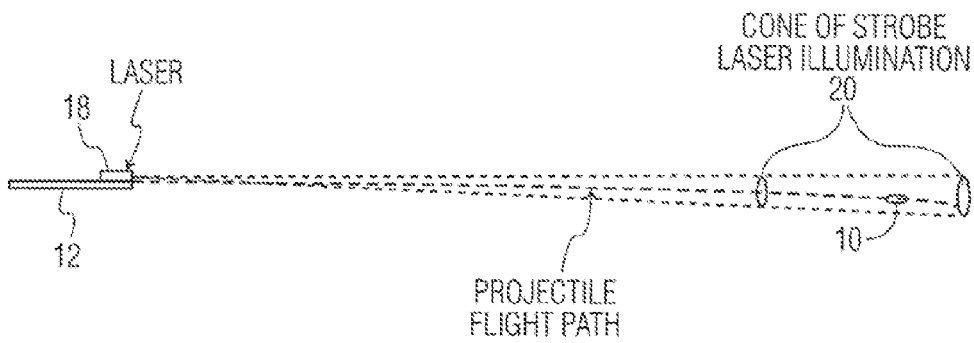


FIG. 4

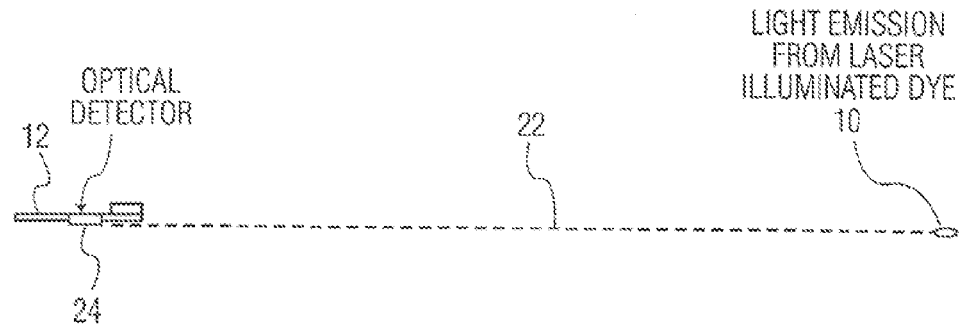


FIG. 5

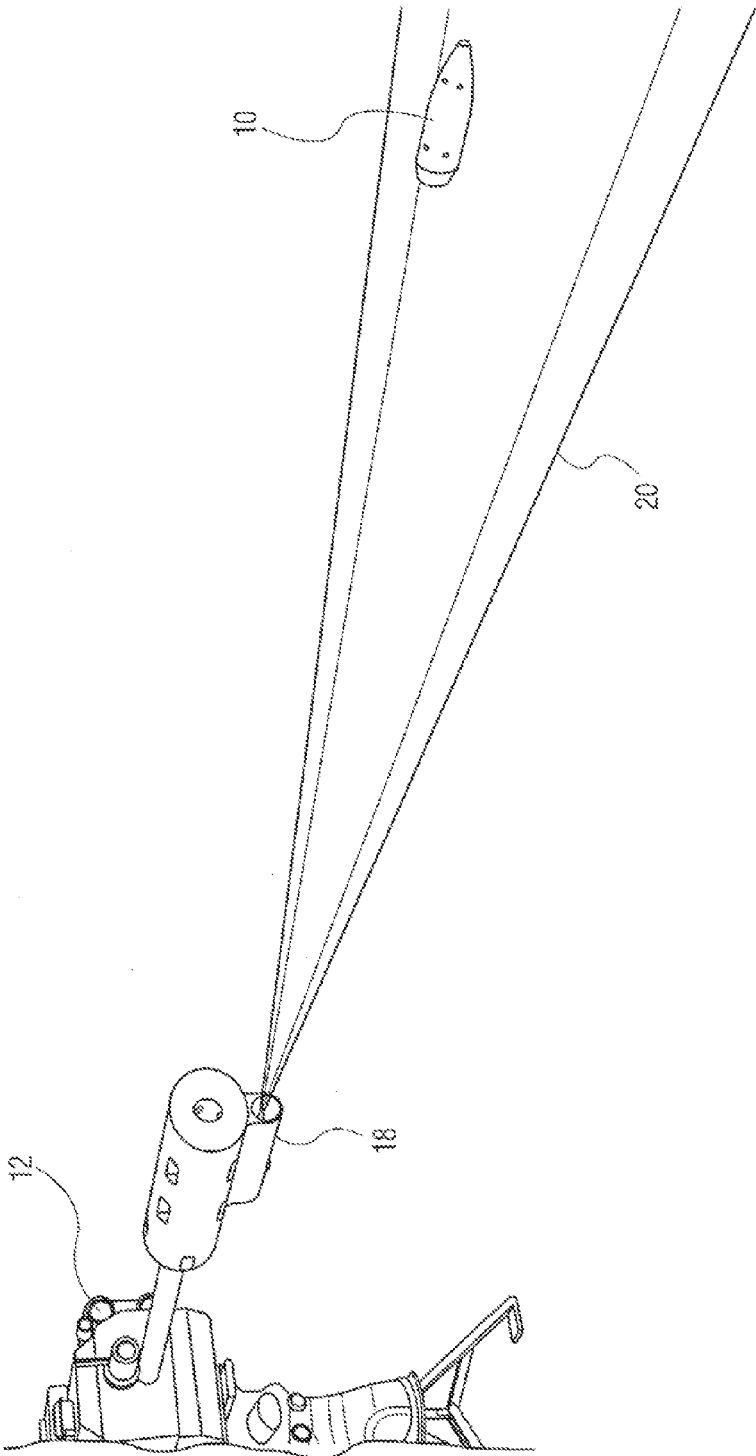


FIG. 6

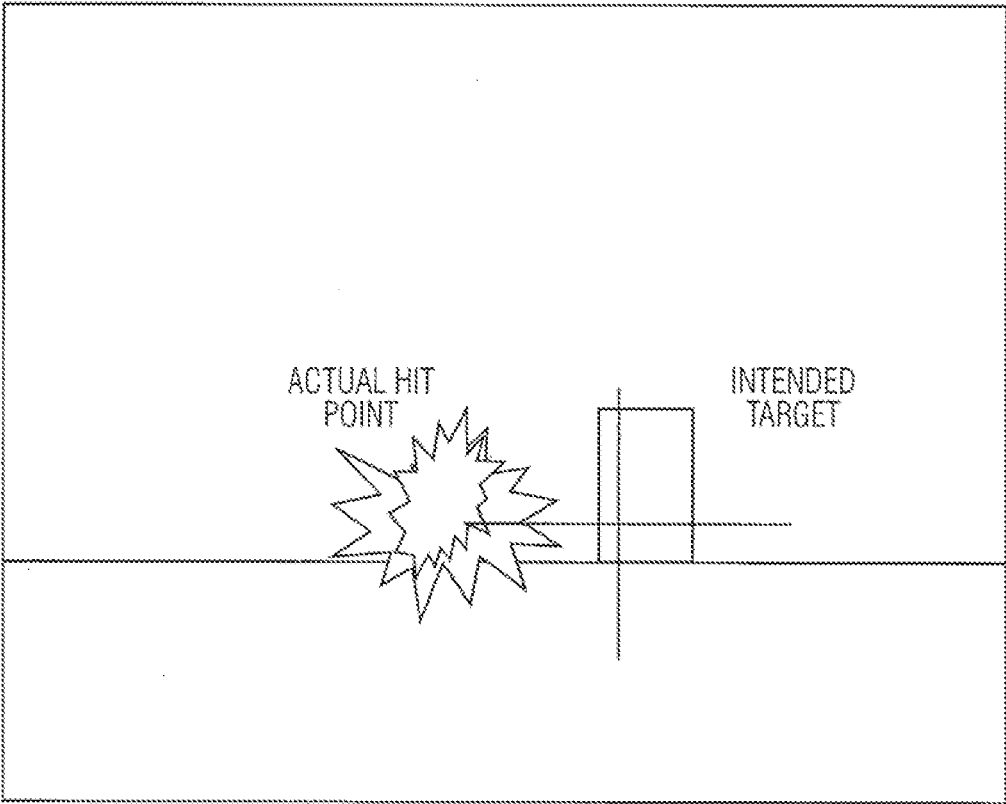


FIG. 7

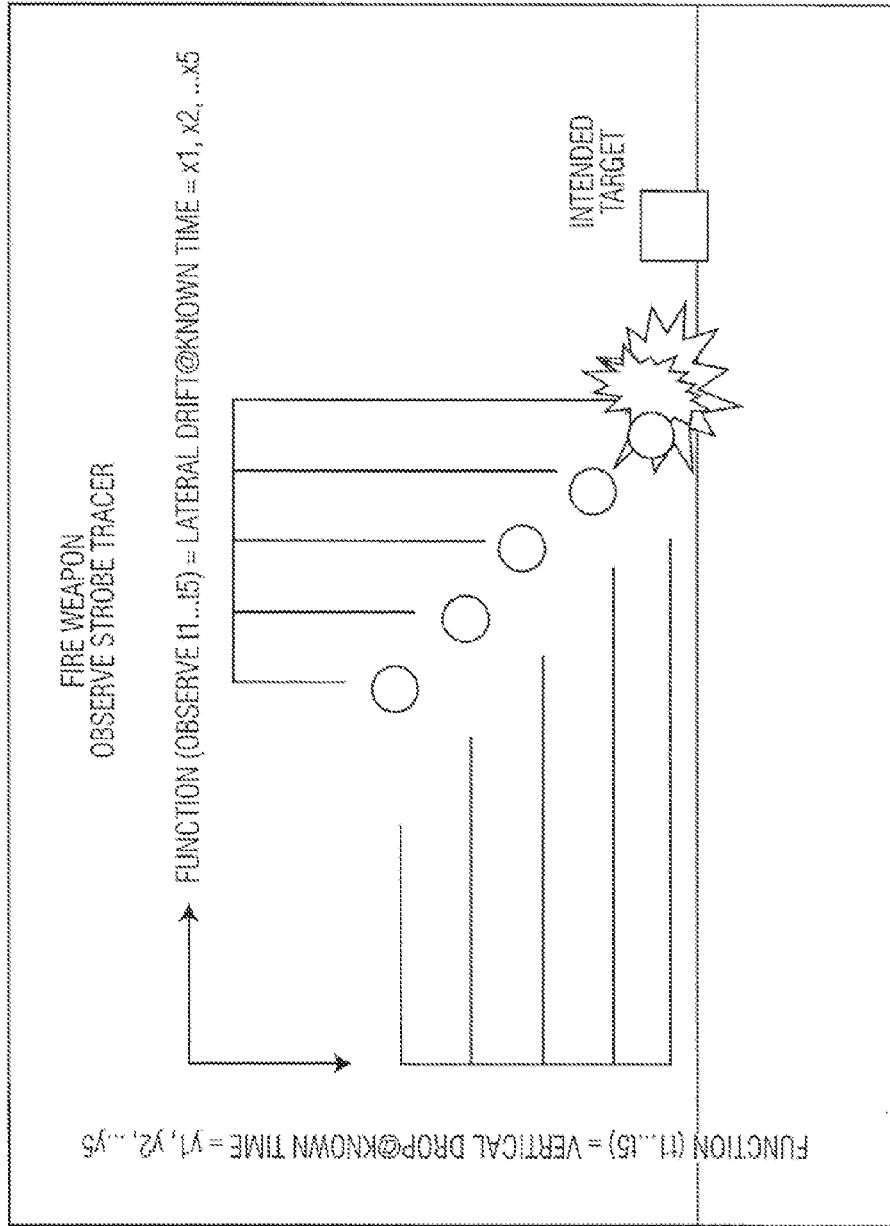


FIG. 8

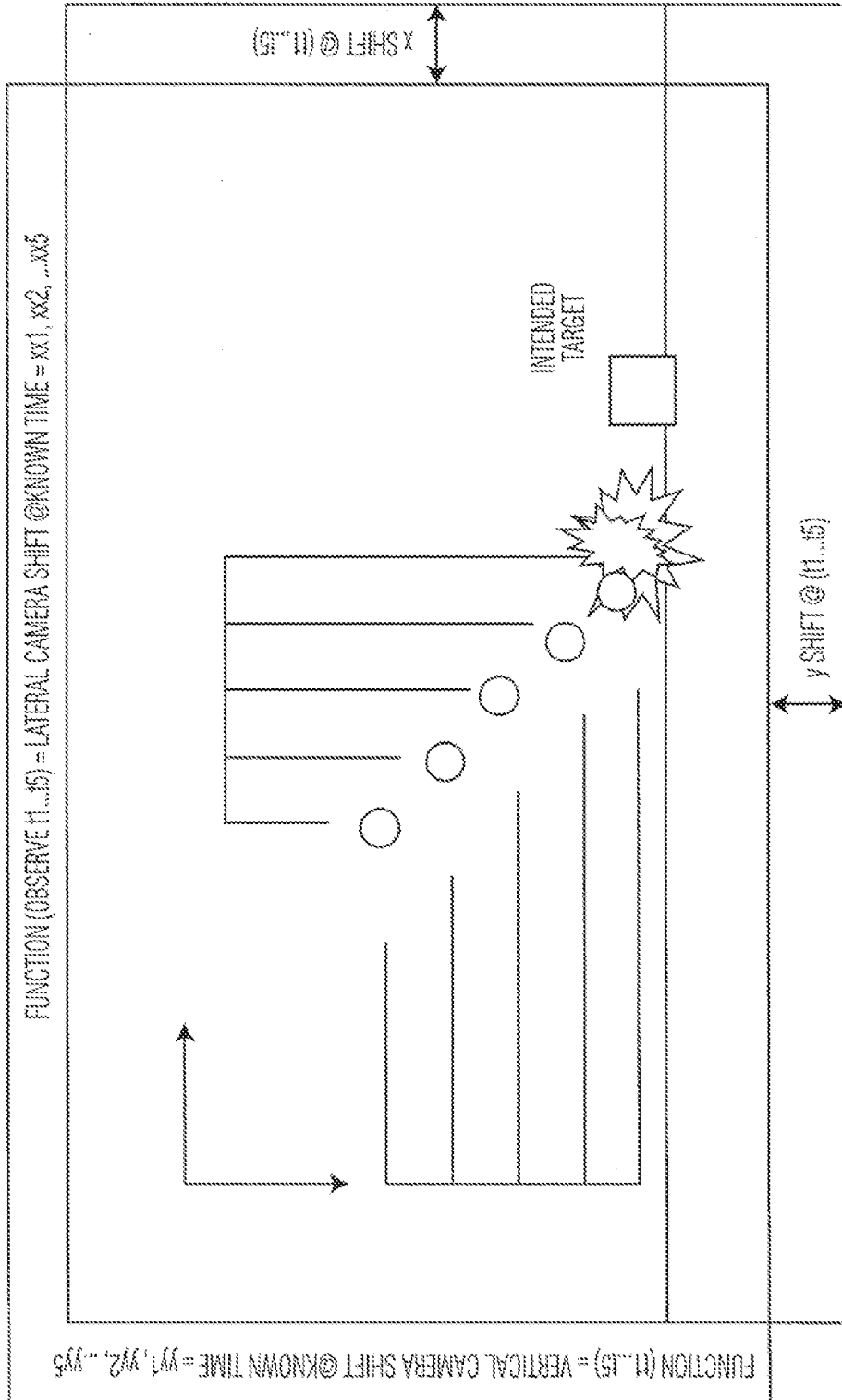


FIG. 9

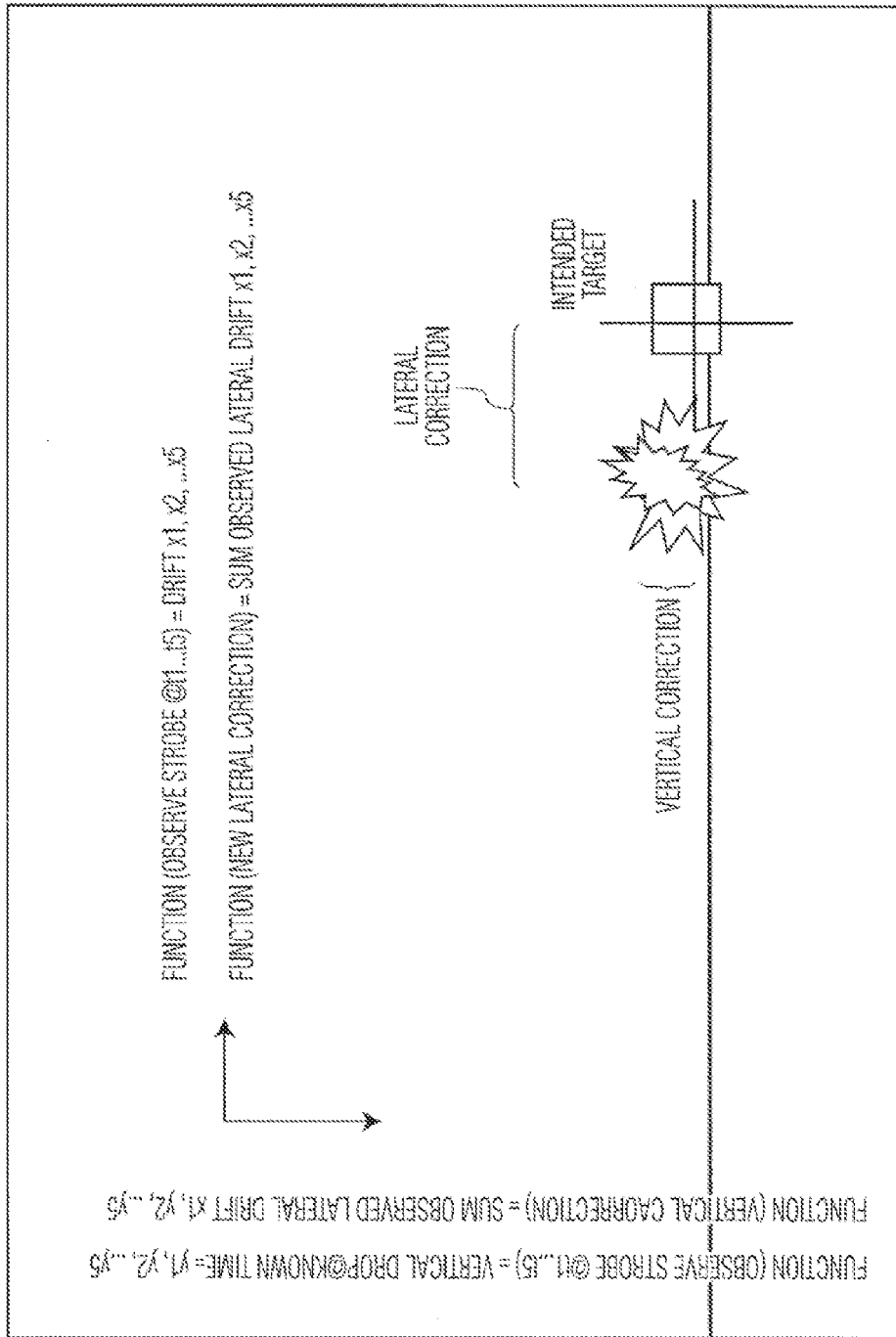


FIG. 10



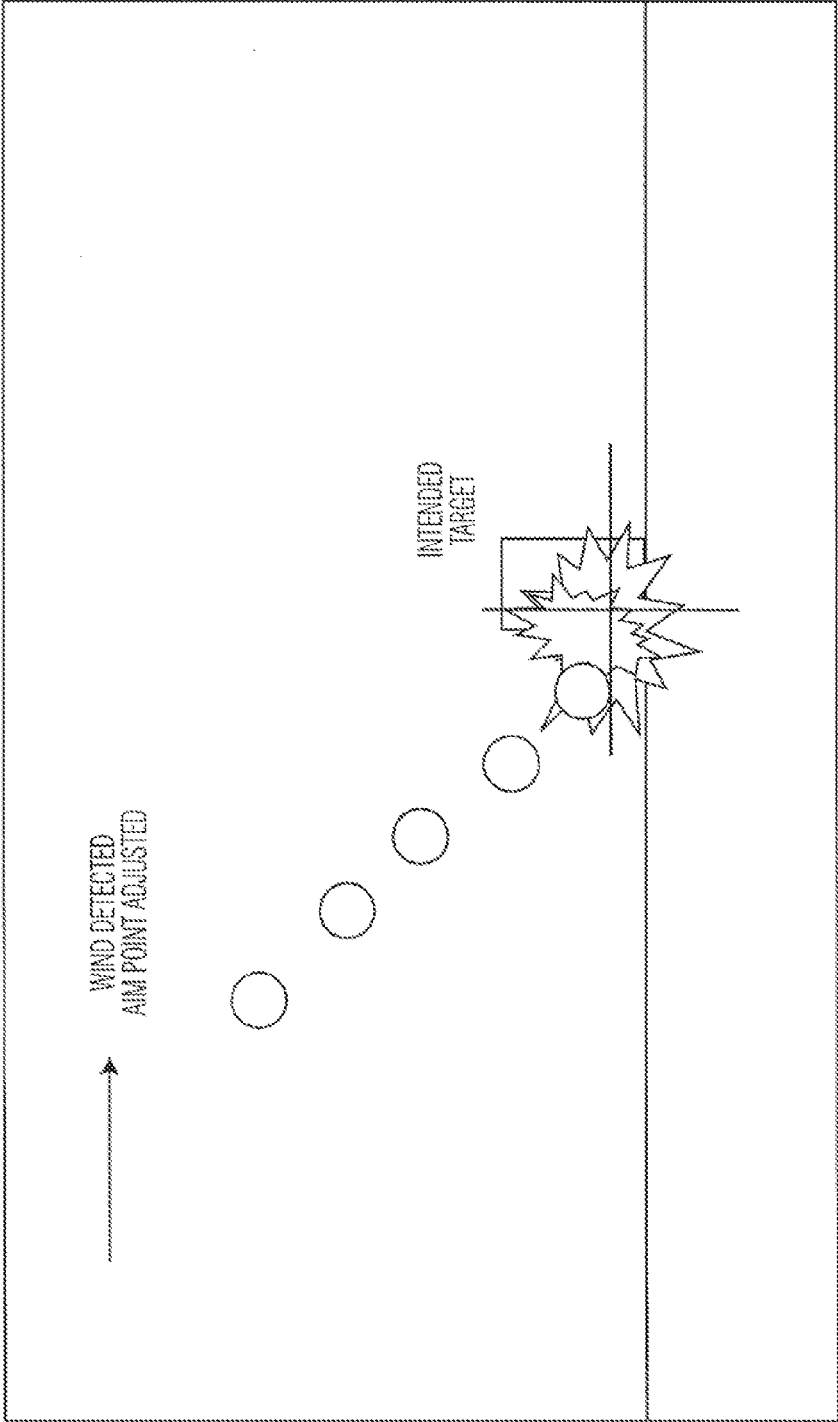


FIG. 11

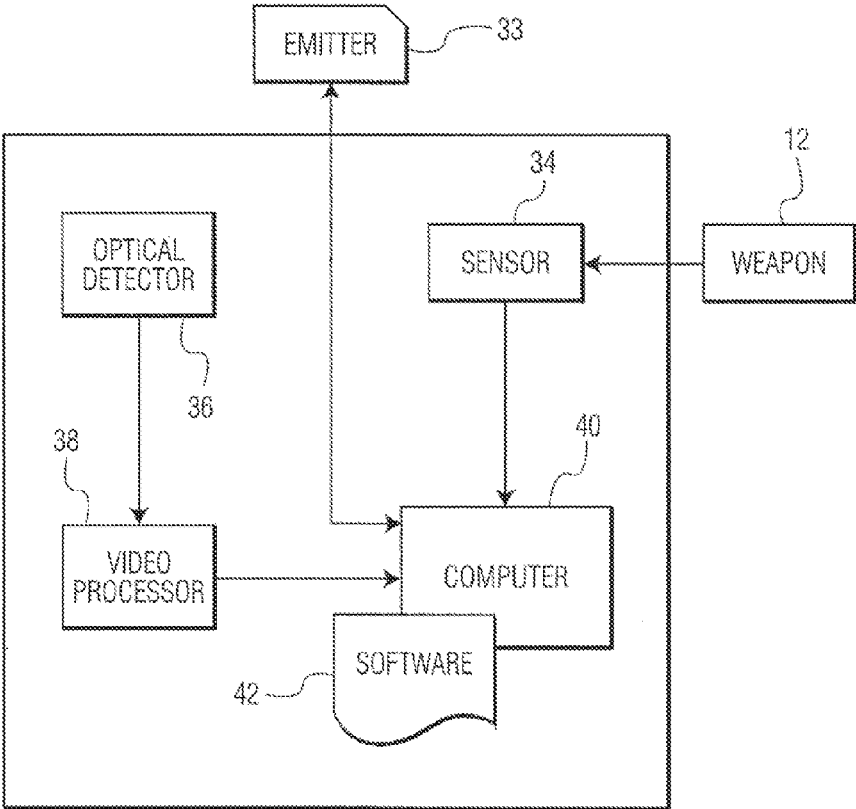


FIG. 12

**APPARATUS FOR CORRECTING BALLISTIC  
ERRORS USING LASER INDUCED  
FLUORESCENT (STROBE) TRACERS**

CROSS-REFERENCE TO RELATED  
APPLICATION

**[0001]** This application claims priority from the U.S. Provisional Application No. 61/803,826 filed Mar. 21, 2013.

BACKGROUND OF THE INVENTION

**[0002]** The present invention relates to weaponry and fire control. More specifically, it relates to an ammunition projectile and a fire control device for tracing the path of a projectile while in ballistic flight toward a given target, so as to improve precision and accuracy when aiming a subsequent projectile at the same or another target.

**[0003]** The U.S. Pat. No. 8,074,555 discloses a system for tracking the lateral drift and vertical drop of an ammunition projectile while in flight to provide a precise aim point for firing one or more subsequent projectiles. With this system, a projectile is provided with an optical emitter, in the rear of the projectile housing, which produces optical strobe signals at predetermined times (T1, T2, T3 . . .) following firing of the projectile (at time T0). An optical detector receives the optical signals and an image processor determines the lateral drift (i.e. X1, X2, X3 . . .) and vertical drop (i.e. Y1, Y2, Y3 . . .) of the projectile at the predetermined times (T1, T2, T3 . . .) following time T0. The subject matter of this patent is incorporated herein by reference.

**[0004]** This system uses the real time data to correct for aiming errors due to gun jump, wind turbulence, altitude-dependant wind conditions, lot-to-lot ammunition irregularities, bore sight misalignment and the like, for use when firing subsequent projectiles. This system is optimized to function with projectiles that have adequate energy to power LED's to emit strobe light and where the ballistic trajectory angles are significant (e.g., with mortars, artillery and 40 mm systems).

SUMMARY OF THE INVENTION

**[0005]** The principal object of the present invention is to improve the precision and accuracy of weaponry systems by taking into account all the factors that affect the actual ballistic flight of a projectile.

**[0006]** It is another object of the present invention to improve the fire control device of the type disclosed in the U.S. Pat. No. 8,074,555 to render it more reliable and less expensive.

**[0007]** It is still another object of this invention to improve the fire control device disclosed in the U.S. Pat. No. 8,074,555 to minimize power consumption of projectile-borne batteries, used for example in projectile fuses, and simplify the sensor array (detector) that views the projectile.

**[0008]** These objects, as well as still further objects which will become apparent from the discussion that follows, are achieved, in accordance to the present invention by providing an otherwise conventional ammunition projectile with a coating of fluorescent dye material, on or near its rear surface, whereby the dye re-emits radiation in response to excitation by laser light.

**[0009]** The fluorescent dye, optimized to luminance in response to laser radiation, exploits a natural phenomenon known as "laser-induced-fluorescence." The dye is coated on an external rear surface of the projectile. The coating is preferably

covered by a transparent shield or coating and, for example, it may be disposed on the inside surface of a transparent window on the rear of the projectile.

**[0010]** The present invention also provides a system for correcting the aim of a weapon that is operative to launch such a projectile on a ballistic path toward a target. The aim-correcting system preferably includes the following components:

**[0011]** (1) a source of short (strokes) radiation pulses directed toward the ballistic path of the projectile for excitation of the fluorescent dye material on the projectile, such pulses being emitted at predetermined times (T1, T2, T3 . . .) following firing of the projectile (at time T0);

**[0012]** (2) a radiation detector for receiving strobe radiation re-emitted by the fluorescent dye on the projectile allowing for the vertical and lateral measurement of the projectile's position at times (T1z, T2z, T3z . . .), where "z" is the time delay of re-emission after excitation;

**[0013]** (3) a signal processor, coupled to the radiation detector, for processing the electronic signals produced by the detector to determine the lateral (X) and vertical (Y) coordinates of the projectile at such times (T1z, T2z, T3z . . .) during flight;

**[0014]** (4) a computer, coupled to the processor, for calculating a lateral correction and a vertical correction in the aim of the weapon; and

**[0015]** (5) an output device, coupled to the computer, for facilitating an adjustment in the aim of the weapon toward the target, prior to firing the next projectile.

**[0016]** Using this aim-correcting device the aim of the weapon may be adjusted after the launch of one projectile to compensate for aiming errors prior to the next launch of a projectile.

**[0017]** By means of this system, either the signal processor or the computer calculates the lateral drift and the vertical drop of the projectile at the predetermined times.

**[0018]** Preferably the radiation source is laser source adapted to be affixed to the weapon so that the cone of illumination of the laser source intersects with the ballistic path of the projectile and excites the photo-luminescent material.

**[0019]** Preferably the radiation detector is a digital camera for producing an image of the ballistic path of the projectile.

**[0020]** Depending upon the type of fluorescent dye material, the frequency of the excitation radiation may be in one of the UV, visual and IR spectral bands.

**[0021]** Both the laser source and radiation detector may utilize narrow pass filters that provide for stealth in illuminating the projectile and simplified signal processing and optical detector construction as the technique provides for optimized signal to noise ratios.

**[0022]** The radiation source preferably includes a narrow band-pass filter for selectively passing a narrow spectrum of laser light to the projectile to excite the fluorescent dye. The radiation detecting device preferably also includes a narrow band pass filter allowing only the re-emitted light from the fluorescent dye to pass to the detector, thereby minimizing the data processing required of the detector output.

**[0023]** The output device of the system may be a display for the operator who manually adjusts the aim in the weapon's bore sight or it may automatically adjust the aim of the weapon, for example by passing the projectile drift and drop data to the fire control device of the weapon.

[0024] For a full understanding of the present invention, reference should now be made to the following detailed description of the preferred embodiments of the invention as illustrated in the accompanying drawings.

BRIEF DESCRIPTION OF THE DRAWINGS

[0025] FIG. 1 is a time diagram of laser induced fluorescence showing the delay in response to excitation.

[0026] FIG. 2 is a representational diagram showing an ammunition projectile having a fluorescent dye at its rear surface.

[0027] FIG. 3 is a diagram showing a weapon and the trajectory of a projectile fired from a weapon.

[0028] FIG. 4 is a diagram showing a cone of illumination of strobe light emitted by a laser source that intersects the ballistic flight path of a projectile fired from a weapon. The laser aim is slightly depressed from the bore sight for optimized intersection with the projectile's trajectory within the dispersion of the light cone.

[0029] FIG. 5 is a diagram showing an optical detector which receives a light emission from a laser-illuminated fluorescent dye on an ammunition projectile.

[0030] FIG. 6 is a perspective view of a weapon having a laser source to illuminate a projectile in flight.

[0031] FIG. 7 is a representational diagram showing an error imparted by a fire control device which uses ballistic tables and metrological sensors to calculate a predicted hit point (gunner aiming point).

[0032] FIG. 8 is a representational diagram showing how the system of the present invention identifies the X and Y location of the detected fluorescent dye strobe signal against the sky or backdrop.

[0033] FIG. 9 is a representational diagram showing how the system of the present invention uses the laser-induced and emitted strobe signal to correct for the actual drift in the azimuth and inaccuracy in the ballistic fall of fired projectile (the view from fire control device at gunner's position).

[0034] FIG. 10 is a representational diagram showing how the system of the present invention is used, post firing, to shift fields of view. The system measures the angular changes of the platform or camera at the same moment that the tracer's strobe signal is detected.

[0035] FIG. 11 is a representational diagram showing how the fire control computer calculates a new fire control solution after measuring actual drift and drop of an observed "strobe tracer" projectile.

[0036] FIG. 12 is a block diagram of the system according to the present invention which uses an algorithm that computes a solution for bore sight adjustment and/or automatically adjusts the aim point of subsequently fired projectiles.

DETAILED DESCRIPTION OF THE PREFERRED EMBODIMENTS

[0037] The preferred embodiments of the present invention will now be described with reference to FIGS. 1-12 of the drawings. Identical elements in the various FIGS. are designated with the same reference numerals.

[0038] The invention provides for a method and arrangement to collect optical location signals emitted by a projectile in flight fired from a weapon while simultaneously recording movement and/or acceleration. These optical signals are transmitted from a projectile in flight in either the visual, ultraviolet and infra-red spectrum. The signals are re-emitted

from the projectile at predetermined times T2z, T3z, etc.) following the time of firing (T0). An optical detector incorporated into the weapon launcher or on an associated platform detects the angular geometry (projectile location in the sky) of the radiation re-emitted by the photo-luminescent material on the projectile as well as the duration (time length) of this re-emitted strobe in its field of view.

[0039] FIG. 1 is a time diagram illustrating the time delay of fluorescence in response to excitation by laser light. As may be seen, there is a delay of about 3 milliseconds between excitation and response. This period of delay is designated hereinafter by the letter "z".

[0040] The operating sequence of the system according to the invention is depicted in Table 1 below.

TABLE 1

	Sequence of Measurements Sequence of Measurement Methodology
T0-a	Fire Control Displays solution based on solution derived from algorithm (based on previous measurement)
T0-b	Measurement of (a) radial Azimuth/Elevation Barrel Centerline and (b) elevation of barrel/fire control if not aligned
T0-c	Firing Pin Trigger pull (or hammer fall sensor) where a, b and c are lengths of time before T0
T0	Set Back of Cartridge Launch
T1	Laser emits short pulse
T1 + z	Response of dye projectile time z later
T1 + z	Camera image (x1, y1) of strobe response and camera position (xx1, yy1)
T2	Laser emits short pulse
T2 + z	Response of dye on projectile time z later
T2 + z	Camera image (x2, y2) of strobe response and camera position (xx2, yy2)
T3	Laser emits short pulse
T3 + z	Response of dye on projectile time z later
T3 + z	Camera image (x3, y3) of strobe response and camera position (xx3, yy3)
Tn + z	Camera image (xn, yn) of strobe response and camera position (xxn, yyn)

[0041] FIG. 2 shows an ammunition projectile 10 having a fluorescent dye 11 applied to its rear surface. The fluorescent dye preferably has a transparent or translucent coating to protect against damage or it is covered by a plastic shield or the like attached to the rear of the projectile.

[0042] The system according to the invention has the capability to detect the laser-induced fluorescence ("LIF") of a projectile while in flight. The re-emission in response to the LIF occurs the short period of time (z) after transmission of the laser strobe excitation.

[0043] When a phosphor is included with the projectile dye, the system can utilize phosphor thermometry. By measuring this re-emitted light duration (z) the system can use temperature differences observed on projectiles in flight to further differentiate between and among the locations of multiple projectiles when the rate of fire is such that multiple projectiles are in flight at the same time.

[0044] The system of the present invention is shown generally in FIGS. 3, 4 and 5. FIG. 3 shows a weapon 12 capable of firing projectiles in the direction of a target 14. The projectiles impact in the region of the target in a dispersion zone 16. FIG. 4 shows a laser source 18 mounted on the barrel of the weapon emitting pulses (strokes) of light in a cone of illumination 20 that intersects the projectile 10. FIG. 5 shows light 22 re-emitted by the fluorescent dye 11 on the projectile

**10**, reaching an optical detector **24** on or near the weapon **12**. This arrangement is illustrated in perspective in FIG. 6

**[0045]** The laser strobe emits light at precise time intervals after launch or cartridge setback. The weapon's fire control system compares the actual flight position at these precise post-firing intervals to the location that is forecasted by the original solution algorithm. The "delta" positions are recorded (stored/registered) and the fire control provides a gunner with new "corrected" aim points using the registered shots.

**[0046]** The optical signals emitted by the fluorescent dye material on the projectile are collected by an optical detector, such as an IR camera, co-located with the weapon. The image is digitally processed and X and Y coordinates of the projectile's strobe signal are identified by collection at the predetermined time intervals. When a gunner subsequently wishes to engage new targets, the computer associated with the system uses an algorithm to identify a precise aim point solution using the observed trajectory of previous shots, thereby re-measuring and re-calibrating the distance and relative target elevation for subsequent firing of the weapon.

**[0047]** Optical emissions include light in the ultraviolet, infra red and visual wavelengths. The weapon's fire control unit has the capability to emit a cone of light (modulated to strobe at a set time) that intersects with the ballistic path of the projectile. Normally, the laser emission will be aligned vertically. The laser's horizontal alignment will drop slightly at an inclination so the top edge of the laser light illumination cone is aligned horizontally with the centerline of the barrel. This geometry allows the laser light cone to cover the entire ballistic drop of the projectile.

**[0048]** The laser emitter **18** transmits a short, intense light strobe signal at predetermined times after set back during the flight path of the projectile. This occurs at  $T1=(\text{time of emission}+z)$ ,  $T2=(\text{time of emission}+z)$ ,  $T3=(\text{time of emission}+z)$ ,  $Tn=(\text{time of emission}+z)$  where  $z$  is the time delay in milliseconds. Using this technique it is possible to select dye combinations where the laser strobe transmits strobe signals at a given frequency and the dye's optical response differs in its response frequency. This is used by the optimize system to preclude detection by potential adversaries. It is possible, in fact, to harness the heat of the projectile to change the spectral response of the dye.

**[0049]** The transmission of electromagnetic (optical) signals differs under certain atmospheric conditions and frequencies. The delay between the laser's production of a light strobe and the tracer's fluoresced re-emitted response, as well as the length (duration) of the response signal, are used by the fire-control detection software to eliminate detection of stray reflective light that occurs when the laser beam strobe signal reflects off of objects and to distinguish between multiple projectiles.

**[0050]** Projectile flight geometry provides for reflection of light rearward to the gunner's position at pre-set intervals through the entire flight path. The fire control device associated with the weapon optically identifies the position ( $T1=\text{position } x1, y1$ ,  $T2=\text{position } x2, y2$ ,  $T3=\text{position } x3, y3$ , . . .  $Tn=\text{position } xn, yn$ ) of the projectile at set intervals.

**[0051]** The invention provides for a system to collect optical location signals from a projectile in flight which are excited by an optical light source (visual, ultraviolet and infra-red). The fire control uses observed time-location and angular observation data to compute an improved ballistic solution.

**[0052]** The system allows the fire control computers to readily observe and calculate fire control solutions that reduce or eliminate (1) occasion-to-occasion errors, (2) ammunition lot-to-lot errors, and (3) bore sight misalignment.

**[0053]** Fire control computers can readily adjust aim points using sensors to measure air temperature, pressure, firing geometry and standard muzzle velocities; however, practical considerations still limit the accuracy of calculated solutions. Lot-to-Lot ammunition variations along with occasions-to-occasion errors still result in limitations in the accuracy of fire control solutions. These errors also include those errors that result from varying wind conditions. Hence, measurement of the actual observed projectile drift and drop is necessary to allow fire control systems to provide improved aiming solutions.

**[0054]** The current generation of fire-control devices use ballistic tables and metrological sensors to calculate a predicted hit point (gunner aiming point). Some fire control systems allow users to input manual drift and elevation offsets, but these manual offsets are generally linear. Hence, the current generation fire control devices continue to provide inaccurate aim points due to the fact that they only calculate a limited number of inputs while many "unsolved" sources of errors are not factored in. Unsolved errors include (a) bore sight misalignment, (b) lot-to-lot errors, (c) occasion-to-occasion errors and (d) limitations in existing wind sensor technology. All unsolved errors degrade the accuracy and precision of weapon fire control solutions, as illustrated in FIG. 7

**[0055]** The projectile's stimulated dye response occurs at discrete intervals (at  $T1+z$ ,  $T2+z$ ,  $T3+z$ , . . .  $Tn+z$ , where  $z$  is the response delay) that are observed by fire control devices equipped with optical sensors. The dye's strobe response to laser illumination identifies the position of the projectile at set time intervals after set-back (time  $T0$ ). As illustrated in FIG. 8, the system according to the invention optically collect the strobe light emissions at predetermined post firing (post set-back or launch) time windows. The projectile's fluorescent dye emits light strobe pulses that are collected by the optical detector **24** (e.g. a camera) and digitally recorded. At each pre-set time window the device also records changes in the X and Y orientation of dye emission. The system's image processing software measures or signal processing algorithms calculate the X and Y location of the optical strobe emission at the pre-set time window.

**[0056]** The system's signal processor identifies the X, Y location of the detected dye strobe signal against the sky or backdrop, as shown in FIGS. 9 and 10, thereby determining the actual drift and drop of the projectile **10** as seen from the gunner's position.

**[0057]** The measurement of observed projectile drift and vertical drop are obtained by an image processor to isolate the strobe tracer's position. Simultaneously, angular changes in the detector are measured. The image processor search and detects the strobe images at pre-set intervals after firing. Alternatively, the signal processor detects the signal at pre-set intervals after firing.

**[0058]** Post firing resonance can create shifting fields of view. The system measures the angular changes of the platform or optical detector (camera) at the same moment that the projectile's strobe signal is recorded.

**[0059]** After detecting the actual observed azimuth drift and drop of a cartridge (FIG. 9), a weapon's fire control system can utilize two methods to provide improved fire

control solutions. The fire control system can (1) reset subsequent fire control solutions to use actual observed drift and drop, or (2) establish a correction factor which modifies the calculated fire control solution. Hence, use of actual observed data provides for a more accurate fire control solution.

**[0060]** Fire control computer calculates a new fire control solution after measuring actual drift and drop of an observed “strobe tracer” projectile, as illustrated in FIG. 10.

**[0061]** The diagram of FIG. 11 shows projectile strobe signals from the next subsequently fired projectile as viewed from a gunner’s position with the hit point corresponding to aim point.

**[0062]** The system and methodology according to the invention allow fire control devices to adjust the aim point (in azimuth and elevation) so that subsequently fired cartridges hit the intended target by using actual observed azimuth drift and vertical drop. With the actual drift observed by the fire control’s optical sensor, the fire control computer calculates improved solutions for new engagements. As subsequent volleys are fired, the fire control may use commonly known mathematical algorithms to further improve the precision of the corrected aim point as it repeatedly measures the actual position of cartridge drift and azimuth with a larger sample size.

**[0063]** In the system shown in FIG. 12 an algorithm computes a solution for bore sight adjustment and/or automatically adjusts the aim point of subsequently fired projectiles. The algorithm develops fire control solutions (aim points) using actual, observed azimuth and elevation.

**[0064]** FIG. 12 shows a system 30 according to the invention for a weapon 12 comprising an emitter 33, one or more sensors 34, an optical detector (e.g. camera) 36, a signal processor 38 and a computer 40 operating with software 42.

**[0065]** The sensors 34 are used to identify various parameters of the weapon 12. Such sensors can be of various types, for example, position sensors, sensors for gun elevation, optical sensors and the like. The emitter 33 is a high-powered laser which is triggered by the computer 40 to produce a strobe of light.

**[0066]** The optical detector 40 can be any type of image capturing device, for example a video camera, infrared camera or the like. It produces electronic signals representing the images and passes them to a signal processor 42. The processor 42 determines X, Y location and as well as the time duration of each received response from a projectile in flight. This information is passed to the computer 40 for calculating a lateral correction and a vertical correction in the aim of the weapon 12.

**[0067]** The fire control device measures the angular position of the weapon 12 when the weapon fires a projectile aimed at a target. This angular position information includes a radial azimuth/elevation barrel centerline and elevation of barrel/fire control elevation. The angular position is measured by the sensors 34 and this information is also passed to the computer 40.

**[0068]** The computer determines the drift and drop of the fired projectile and passes this data to the fire control device for adjusting the aim point of for the next projectile to be fired.

**[0069]** The time delay (z) of the re-emitted signal allows the computer 36 to disregard reflections received by the detector 40 from stray objects. The time duration of the re-emitted signal allows the computer to distinguish between multiple projectiles in flight which have been rapidly fired successively by the weapon 12. Closer (and therefore hotter) pro-

jectiles will have shorter duration re-emissions that the projectiles that are further away (and therefore cooler).

**[0070]** There has thus been shown and described a novel apparatus for correcting ballistic errors using laser induced fluorescent (strobe) tracers which fulfills all the objects and advantages sought therefor. Many changes, modifications, variations and other uses and applications of the subject invention will, however, become apparent to those skilled in the art after considering this specification and the accompanying drawings which disclose the preferred embodiments thereof. All such changes, modifications, variations and other uses and applications which do not depart from the spirit and scope of the invention are deemed to be covered by the invention, which is to be limited only by the claims which follow.

1. System for correcting the aim of a weapon which is operative to launch a projectile from a barrel on a ballistic path toward a target, the projectile having an elongate housing with a rear end and fluorescent dye material disposed on the rear end that produces radiation at a first frequency when excited by receipt of radiation at a second frequency, said aim correcting system comprising, in combination;

- (1) a radiation source of pulsed light at said first frequency directed toward the ballistic path of the projectile and emitted at predetermined times (T1, T2, T3 . . . ) following firing of the projectile (at time T0);
- (2) a radiation detector at the location of the weapon for receiving light radiation signals re-emitted by the fluorescent dye on the projectile at times (T1z, T2z, T3z . . . Tnz) and producing electronic signals representing the vertical and lateral positions of the projectile at said times (T1z, T2z, T3z, . . . Tnz), where “z” is a re-emission delay and T1z, T2z, T3z . . . are the respective times T1, T2, T3, . . . Tn each delayed by amount z;
- (3) a signal processor, coupled, to the radiation detector, for processing said electronic signals to determine the spatial (X and Y) coordinates of the projectile at said times (T1z, T2z, T3z, . . . Tz) during flight;
- (4) a computer, coupled to the processor, for calculating a lateral correction and a vertical correction in the aim of the weapon; and
- (5) an output device, coupled to the computer, for facilitating an adjustment in the aim of the weapon toward the target, prior to firing the next projectile;

wherein said aim of the weapon may be adjusted after launch of the projectile to compensate for errors prior to launch of another projectile.

2. The system defined in claim 1, wherein one of the signal processor and the computer calculates the lateral drift and the vertical drop of the projectile at said predetermined times.

3. The system defined in claim 1, wherein said radiation source is laser source, configured to be affixed to the weapon so that a cone of illumination of the laser source intersects with the ballistic path of the projectile and excites the fluorescent dye material.

4. The system defined in claim 3, wherein said laser source transmits light through a narrow band-pass filter so that the cone of illumination in a narrow frequency range intersects the ballistic path of the projectile and excites the fluorescent dye material.

5. The system defined in claim 1, wherein the radiation detector is a digital camera for producing an image of the ballistic path of the projectile.

6. The system defined in claim 1, wherein the radiation detector includes a narrow band-pass filter, allowing re-emitted light from the fluorescent dye material to be selectively received and other light excluded.

7. The system defined is claim 4, wherein said fluorescent dye on the rear surface of the projectile responds preferentially to the laser light illumination in the narrow frequency range.

8. The system defined in claim 1, wherein said fluorescent dye on the rear of the projectile has a protective transparent coating.

9. The system defined in claim 1, wherein said first frequency is in one of the UV, visual and IR spectral bands.

10. The system defined in claim 1, wherein said output device is a display.

11. The system defined in claim 10, wherein said output device includes a aiming device allowing an operator to adjust the aim of the weapon.

12. The system defined in claim 1, wherein the signal processor determines the time duration of the radiation signals received at said second frequency in response to radia-

tion pulses emitted at said first frequency, and wherein said computer distinguishes the signals received from each projectile from among signals received from other, successively fired projectiles in dependence upon said time duration.

13. An ammunition projectile configured to be fired from a weapon, said projectile having an elongate housing and a photo-luminescent material, disposed on a rear surface of the housing, that re-emits radiation at when excited by receipt of radiation from a radiation source.

14. The ammunition projectile defined in claim 13, wherein said photo-luminescent material is a fluorescent dye that forms a coating on the rear surface of the projectile.

15. The ammunition projectile defined in claim 13, wherein said photo-luminescent material is a fluorescent dye that forms a coating on a rear component of the projectile, and said projectile includes a transparent window on said rear component adjacent and covering said fluorescent dye.

16. The ammunition projectile defined in claim 15, wherein said fluorescent dye forms a coating on an inside surface of said transparent window.

\* \* \* \* \*